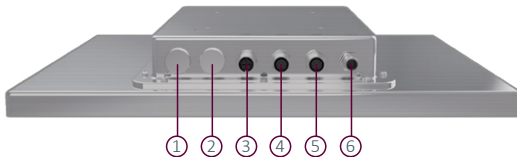
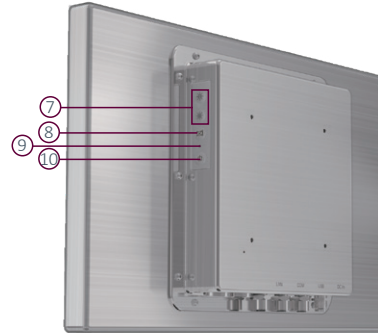


# GOT515-RPL-WCD NEW

15.6" FHD TFT IP66-rated Stainless Steel Fanless PCT Panel Computer with Intel® Core™ i5-1335UE or Processor U300E and Flat Bezel Design (-20°C to +50°C)



1. 1 x Optional M12 I/O blank via cable: 2 x USB 2.0, 1 x COM (RS-232)
2. 1 x GbE LAN
3. 1 x 2.5GbE LAN
4. 1 x COM (RS-232/422/485)
5. 1 x USB 2.0 dual-port
6. DC-IN
7. Brightness settings +/-
8. Display on/off (backlight and touch configurable)
9. LED light (green LED: power status; red LED: storage)
10. Power on/off



Fanless



Low Power



Wide Temp.



DDR5



IP66 & IP69K



M12 Connector

## Features

- 15.6" FHD TFT flat bezel LCD display
- Fanless design with Intel® Core™ i5-1335UE or processor U300E
- Full Stainless SUS304 enclosure with IP66 & IP69K
- Supports vertical installation with 90° rotated I/O
- Supports proximity and light sensors
- EC control (backlight on/off, brightness, light sensor, touch on/off, and Super I/O)
- Intelligent power management solution (Smart Ignition)
- Programmable OSD function key
- Operating temperature: -20°C to +50°C

## Introduction

The 15.6-inch GOT515-RPL-WCD combines an ultra-thin, modular design with high durability, making it ideal for food processing, chemical industries, light industry, and semi-outdoor environments. Its full IP66-rated stainless steel SUS 304 enclosure offers complete protection against water, dust, and powder, while the lockable M12 I/O module further enhances its resilience.

This robust system features a 15.6" FHD TFT flat bezel LCD display and operates fanlessly, powered by an Intel® Core™ i5-1335UE or U300E processor. It supports a broad operating temperature range from -20°C to +50°C and offers flexibility with options for NVMe, mSATA, Wi-Fi 6/6E/7, or 4G LTE. Additionally, it provides proximity and light sensors, along with enhanced EC control for backlight, brightness, touch function, and Super I/O management.



## Specifications

Enclosure	Stainless steel (SUS) 304 or 316 (optional)	
LCD Panel	Display Type	15.6" FHD TFT LCD
	Brightness (cd/m <sup>2</sup> )	450 nits
	Resolution	1920 x 1080
	Viewing Angle (H/V)	178°/178°
Main System	CPU	Intel® Core™ i5-1335UE 1.3 GHz or processor U300E 1.1 GHz
	Chipset	SoC integrated
	TPM	dTPM2.0
	System Memory	1 x 262-pin DDR5 SO-DIMM, up to 48GB
	BIOS	AMI UEFI BIOS
	Storage	1 x M.2 2280, NVMe (Gen4x4) or auto-detect SATA 1 x mSATA
	Watchdog Timer	65536 levels, 0 to 65535 sec.
Onboard Graphics	Intel® Iris® X <sup>e</sup> Graphics (i5-1335UE)	
I/O Connector	1 x RS-232/422/485 (default RS-232, A-coded) 1 x USB 2.0 dual-port (A-coded) 1 x 2.5GBase-T Ethernet with Intel® I226 (X-coded), supporting Wake-on-LAN and PXE Boot ROM 1 x 1GBase-T Ethernet with Intel® I210 (X-coded) 1 x Optional M12 I/O blank via cable (2 x USB 2.0, 1 x COM RS-232) 1 x M12 DC power connector (A-coded) with ACC support	
Expansion Interface	1 x Full-size PCIe Mini Card slot (USB + PCIe/SATA) with nano-SIM socket; supports PCIe Mini Card or mSATA with auto-detection 1 x M.2 Key E 2230 slot for Wi-Fi + Bluetooth module 1 x M.2 Key M 2280 slot (PCIe Gen4 x4/SATA) for SSD (NVMe/SATA) or PCIe device with auto-detection	
Touchscreen	Projected capacitive multi-touch	
Power Input	9 to 36VDC	
Power Consumption	83W	
Dimensions (W x D x H)	397.6 x 60.5 x 245 mm (15.65" x 2.38" x 9.65")	
Packing Dimensions (W x D x H)	533 x 463 x 222 mm (20.98" x 18.23" x 8.74")	
Weight (net/gross)	5.1 kg (11.24 lb)/8.47 kg (18.67 lb)	
Operating Temperature	-20°C to +50°C (-4°F to +122°F)	
Relative Humidity	10% to 95% @ +40°C, non-condensing	
Operation Vibration	1G, 5 to 500Hz, random for M.2 SSD	
Certifications	CE Class A, IEC/EN61000-6-4, IEC/EN61000-6-2 FCC 47 CFR Part 15 Subpart B (Class A) UKCA RoHS standard	

\*W.T.: Wide temperature. All W.T. supported products have to be sorted by Axiomtek.

## Ordering Information

GOT515-RPL-WCD (P/N: E22B515100)	15.6" FHD TFT IP66 rated stainless steel fanless PCT panel computer with Intel® Core™ i5-1335UE processor and flat bezel design
-------------------------------------	---

\*Other configurations available upon request

\*\*Specifications and certifications may vary based on requirements

## Packing List

1x GOT515-RPL-WCD
1 x M12 DC power cable (594B7100B00E)

## Optional Accessories

Wi-Fi 6/6E/7 kit

LTE 4G kit

509000002200 24V/90W adapter, M12 A-coded 5P, AC to DC VOUT=24V,3.75A/100 to 240V, FSP090-AAAN3

594B8120B30E DC-in cable M12 female 5P 180cm without ACC

594B8122820E USB cable M12-8P-F/2\*A type 180CM

594B8152710E LAN cable M12-XCODE/RJ-45 plug CAT6 180CM

594B8122100E RS-232 cable M12-8F to DSUB 9M 180CM

## Optional OS Installation

Windows® 10, Windows® 11 and Linux

## Dimensions

