

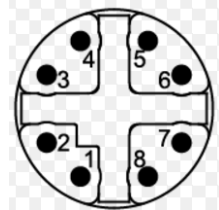
## Connectors

Connector	Description
CN1	The connection between the MB & I/O Module
LAN1~4	The M12 connector for LAN signals.
ACT LED	Orange blinks when the corresponding LAN is active.

## M12 LAN pinout

The M12 8-pin LAN connector is an X-coded type and able to support 10/100/1000 Mbps.

Pin	10/100 Mbps	1000 Mbps
1	TX +	MDI 0+
2	TX -	MDI 0-
3	RX +	MDI 1+
4	RX -	MDI 1-
5	--	MDI 3+
6	--	MDI 3-
7	--	MDI 2 -
8	--	MDI 2+



M12 X-coded 8-Pin/  
Female



**NOTE:** The pin definition of the M12 8-pin LAN connector may vary with other devices

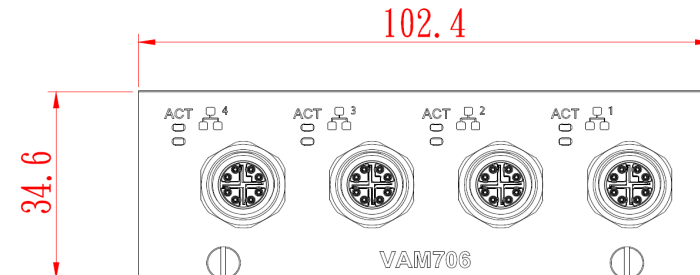
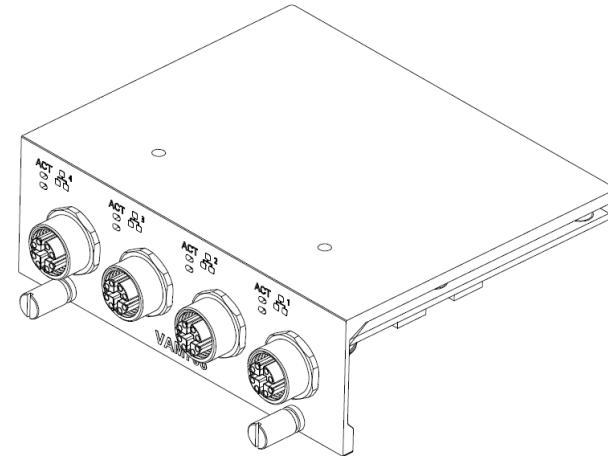
## VAM706 Quick Installation Guide

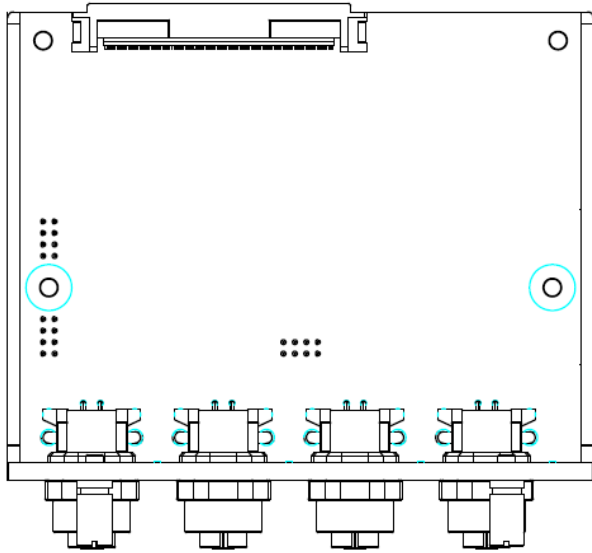
### Checklist

- ✓ VAM706 module x1
- ✓ Quick Installation Guide x1

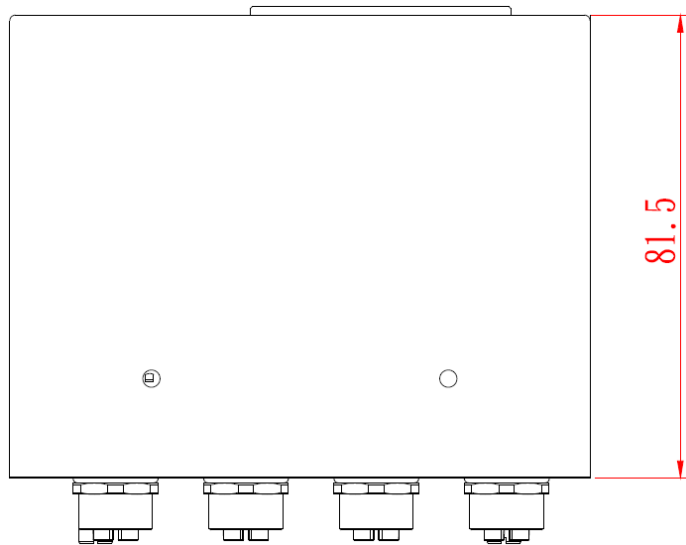
**Note:** Please contact your local distributor of Axiomtek if any item is damaged or missing. DO NOT apply power to the board if any component is damaged.

### Dimensions and Fixing Holes





Top View



Bottom View

### Board Layout & I/O Print Screen

