

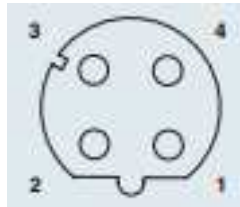
Connectors

Connector	Description
CN1	The connection between the MB & I/O Module
LAN1~4	The M12 connector for LAN signals.
ACT LED	Orange blinks when the corresponding LAN is active.


M12 LAN pinout

The M12 4-pin LAN connector is a D-coded type and able to support 10/100 Mbps.

Pin	10/100 Mbps
1	TxData+
2	RxData+
3	TxData-
4	RxData-



M12 D-coded 4-Pin/ Female

 **NOTE:** The pin definition of the M12 4-pin LAN connector may vary with other devices

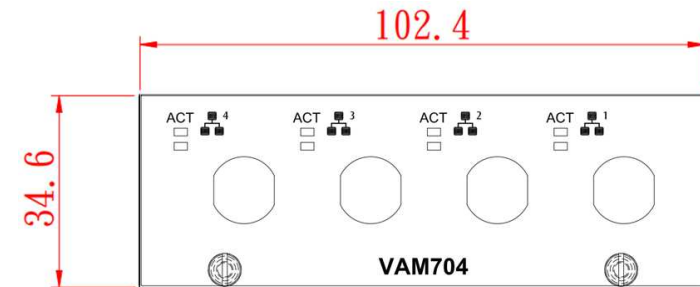
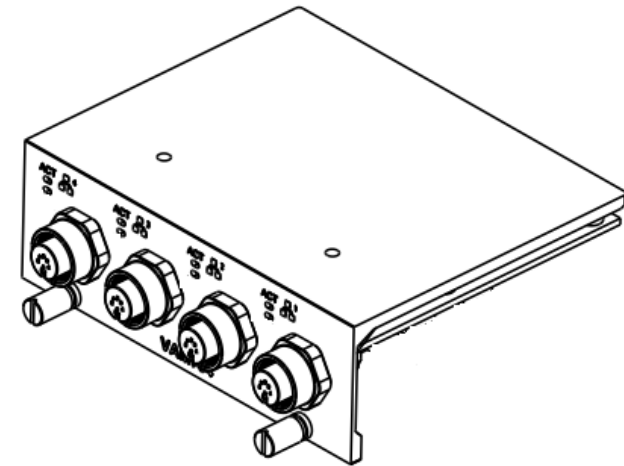
VAM704 Quick Installation Guide

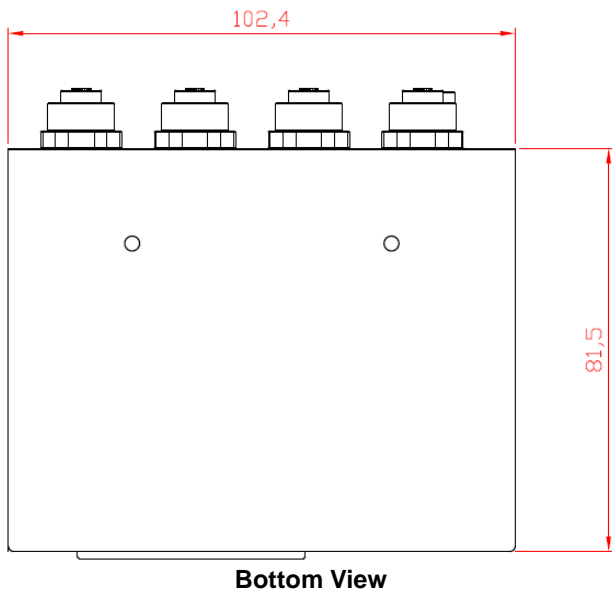
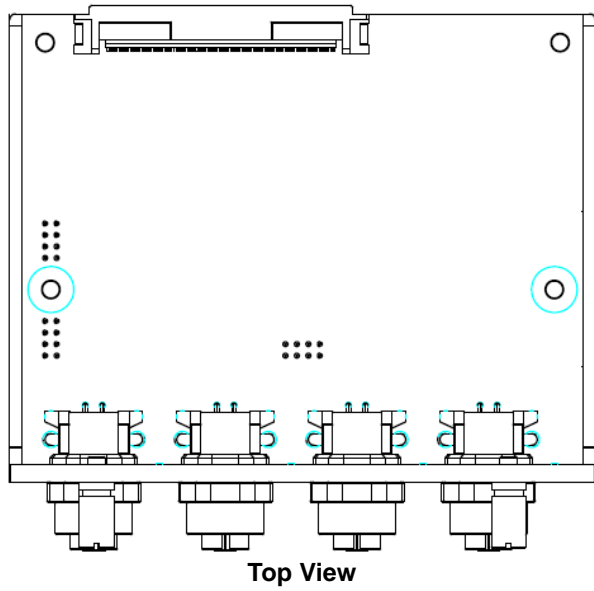
Checklist

- ✓ VAM704 module x1
- ✓ Quick Installation Guide x1

Note: Please contact your local distributor of Axiomtek if any item is damaged or missing. DO NOT apply power to the board if any component is damaged.

Dimensions and Fixing Holes





Board Layout & I/O Print Screen

