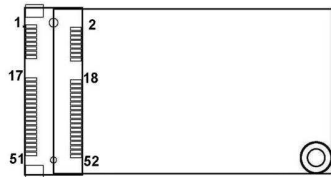


B. Mini PCIe Card
MINI1 / MINI2

Pin	Signal	Pin	Signal
1	WAKE#	2	+3.3VSB
3	No use	4	GND
5	No use	6	+1.5V
7	No use	8	UIM_PWR
9	GND	10	UIM_DATA
11	REFCLK- /No use	12	UIM_CLK
13	REFCLK+ /No use	14	UIM_RESET
15	GND	16	UIM_VPP
17	No use	18	GND
19	No use	20	No use
21	GND	22	PERST#
23	PE_RXN4 /No use	24	+3.3VSB
25	PE_RXP4 /No use	26	GND
27	GND	28	+1.5V
29	GND	30	SMB_CLK
31	PE_TXN4 /No use	32	SMB_DATA
33	PE_TXP4 /No use	34	GND
35	GND	36	USB_D-
37	GND	38	USB_D+
39	+3.3VSB	40	GND
41	+3.3VSB	42	No use
43	GND	44	No use
45	No use	46	No use
47	No use	48	+1.5V
49	No use	50	GND
51	No use	52	+3.3VSB



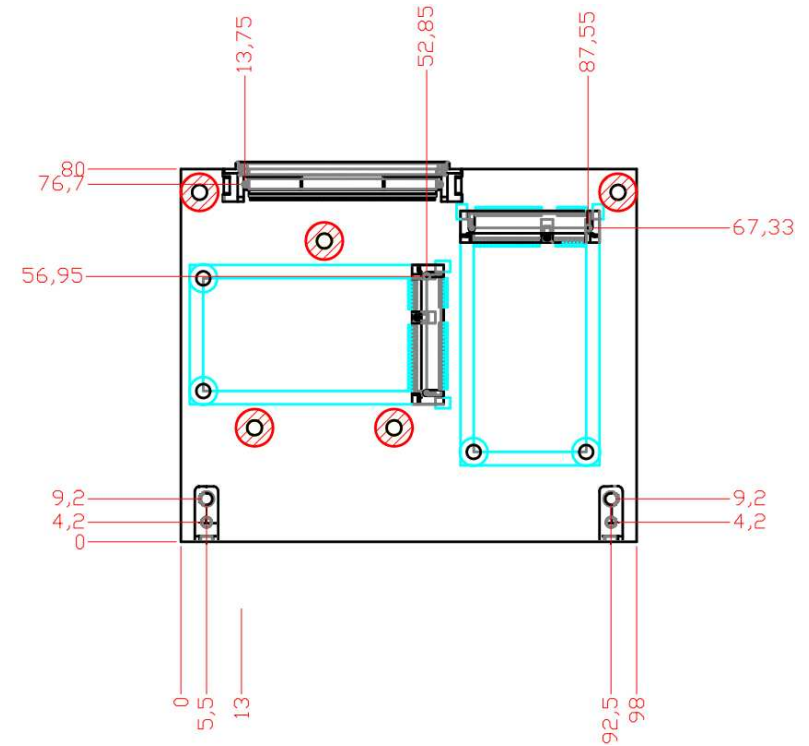
VAM600 Quick Installation Guide

Checklist

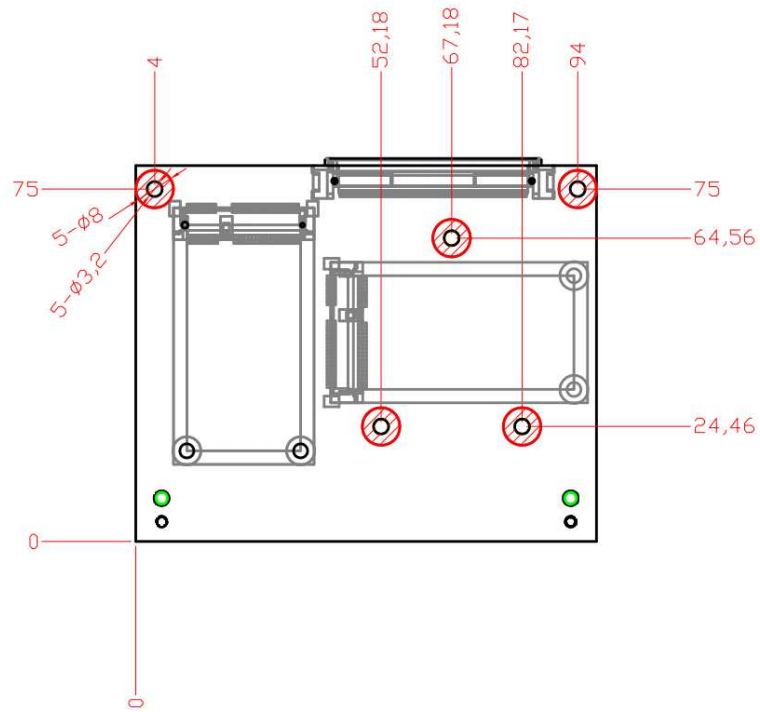
- ✓ VAM600 module x1
- ✓ Quick Installation Guide x1

Note: Please contact your local distributor if any item is damaged or missing. DO NOT apply power to the board if any component is damaged.

Dimensions and Fixing Holes

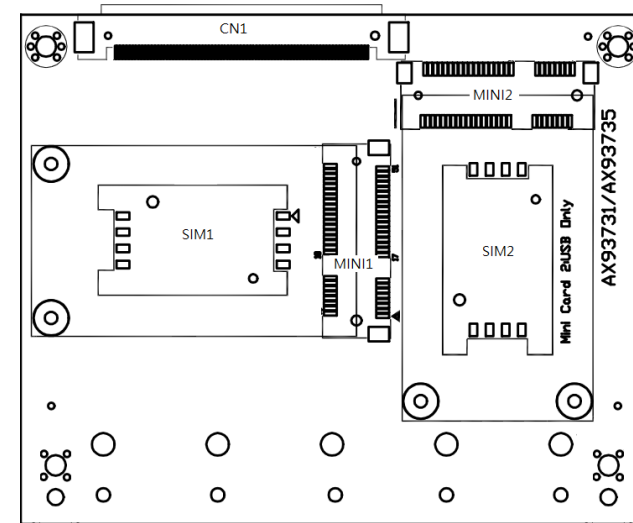
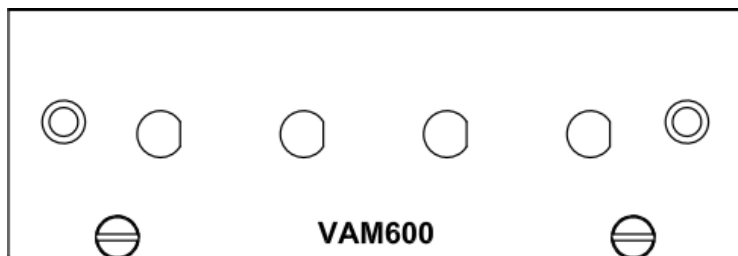


Top View



Bottom View

Board Layout & I/O Print Screen



Connectors

Connector	Description
CN1	The connection between the MB & I/O module
MINI1~2	The mini PCIe card connector
SIM1~2	The SIM card connector

A. SIM Card Connector

Pin	Signal
C1	SIM_PWR
C2	SIM_RESET
C3	SIM_CLK
C5	GND
C6	SIM_VPP
C7	SIM_DATA

