

This page is intentionally left blank.

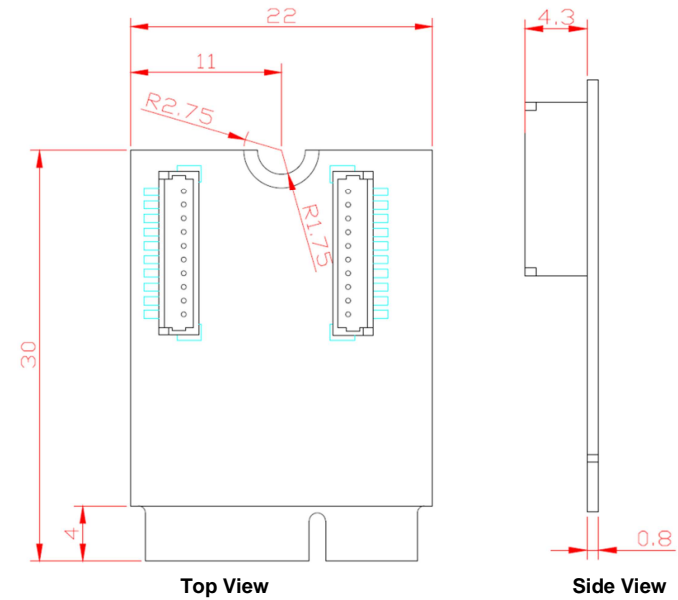
AX92920 Quick Installation Guide

Checklist

- ✓ AX92920 board x1
- ✓ Quick installation guide x 1

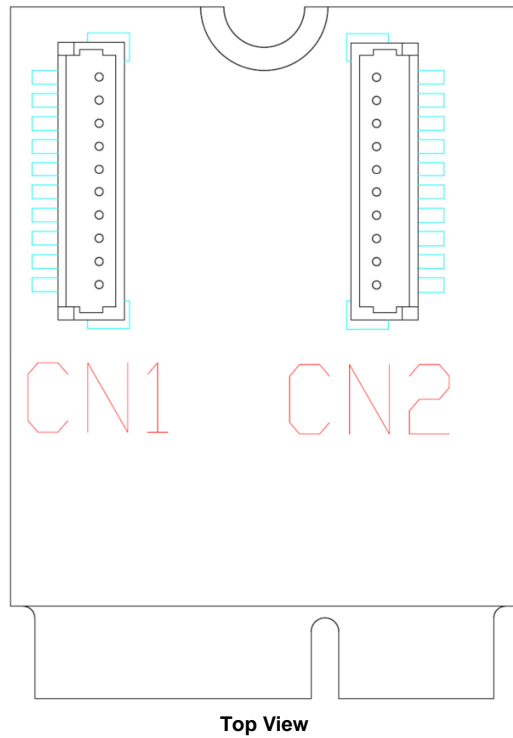
Note: Please contact your local vendors if any damaged or missing items. DO NOT apply power to the board if there is any damaged component.

Dimension and Fixing Holes



AX92920 16bit DIO Port M.2 Module

Module Layout



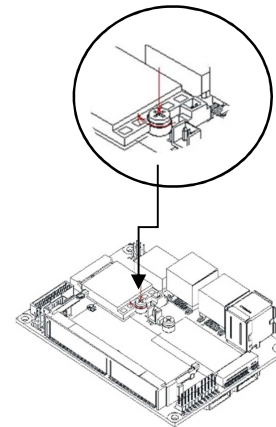
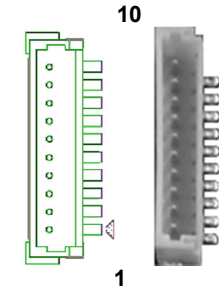
Connectors

Connector	Description
CN1	DIO1 Connector
CN2	DIO2 Connector

DIO Connectors (CN1 and CN2)

These are 1x10-pin (Pitch=1.0mm) wafer connectors which are compliant with JST BM10B-SRSS-TB for 16bit DIO interface. You may use software programming to control these digital signals.

CN1		CN2	
Pin	Signal	Pin	Signal
1	DIO 0	1	DIO 8
2	DIO 1	2	DIO 9
3	DIO 2	3	DIO 10
4	DIO 3	4	DIO 11
5	DIO 4	5	DIO 12
6	DIO 5	6	DIO 13
7	DIO 6	7	DIO 14
8	DIO 7	8	DIO 15
9	+5V	9	+5V
10	GND	10	GND



Note. After installing the M.2 Key E card, please follow the red arrow to screw and lock the card.