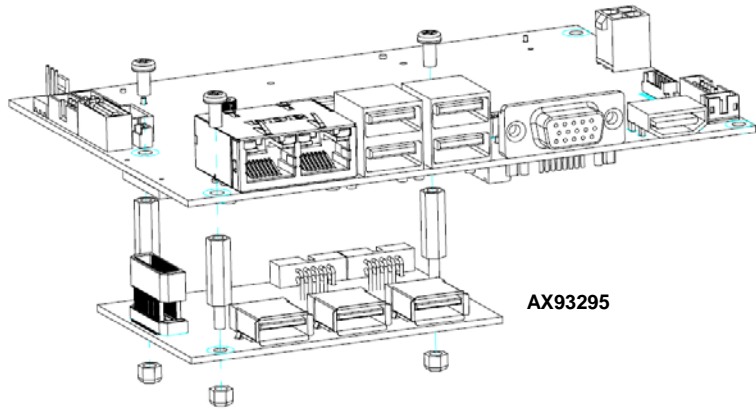


# AX93295 Quick Installation Guide

## How to Use



AX93295

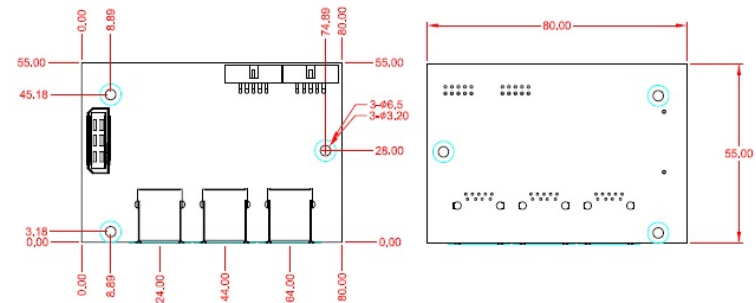
Gently insert ZIO module into 3.5" SBC's ZIO connector, see figure above. Align assembly holes and use screws to firmly secure ZIO module to CPU board. Be careful not to over-tighten the screws. Then, after installing OS, please also install USB3.0 driver whose file name is RENESAS-USB3-Host-Driver-30230-setup from utility CD to enable USB2 and USB3.

## Checklist

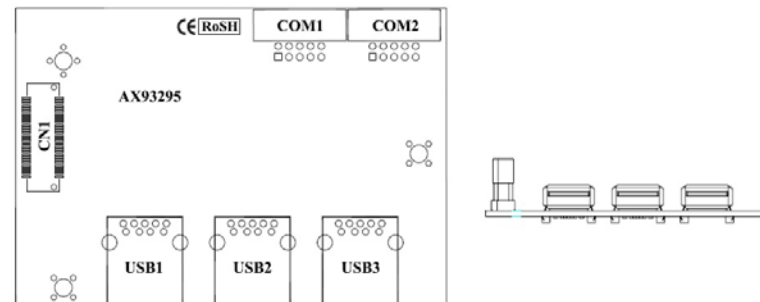
- ✓ I/O board x1
- ✓ Quick installation guide x1
- ✓ Utility CD x1
- ✓ Screw pack x1
- ✓ COM cable x2

**Note:** Please contact your local vendors if any damaged or missing items. DO NOT apply power to the module if there is any damaged component.

## Dimension and Fixing Holes



## Module Layout



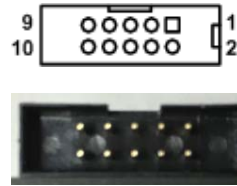
## Connectors

Connector	Description
COM1	COM1 Connector
COM2	COM2 Connector
USB1	USB3.0 Port 1
USB2	USB3.0 Port 2
USB3	USB3.0 Port 3

### COM Connectors (COM1 and COM2)

This module comes with two box headers which are compliant with Molex 78046-1020, 2x5-pin p=2.00mm for COM1 and COM2. Moreover, both of them are RS-232 at 2KV isolation.

Pin	Signal	Pin	Signal
1	DCD	2	DSR
3	RXD	4	RTS
5	TXD	6	CTS
7	DTR	8	RI
9	GND	10	N.C.

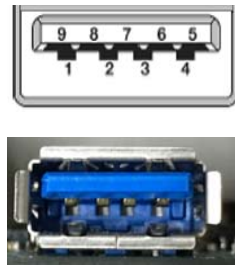


### USB3.0 Ports (USB1-USB3)

This module comes with three high rise double-deck Universal Serial Bus (compliant with USB 3.0 (5Gb/s)) connector on the rear I/O which are for installing USB peripherals such as keyboard, mouse, scanner, etc.

**Note:** USB1 as USB3.0 port is subject to which 3.5" SBC are installed. If the 3.5" SBC can't support USB1 as USB3.0 port, USB1 is USB2.0 port.

Pin	Signal
1	USB_VCC (+5V Power)
2	USB_Data0-
3	USB_Data0+
4	GND
5	SSRX0-
6	SSRX0+
7	GND
8	SSTX0-
9	SSTX0+



### ZIO Expansion Connector (CN1)

The CN1 is for connecting ZIO expansion module to 3.5" SBC with ZIO connector.

Pin	Signal	Pin	Signal
A1	+12V	B1	GND
A2	+5VSB	B2	GND
A3	+5VSB	B3	GND
A4	+3.3VSB	B4	GND
A5	+3.3VSB	B5	RSVD
A6	RSVD	B6	RSVD
A7	RSVD	B7	RSVD
A8	SMB_CLK	B8	RSVD
A9	SMB_DATA	B9	GND
A10	GND	B10	PCI-E TXP4
A11	PCI-E RXP4	B11	PCI-E TXN4
A12	PCI-E RXN4	B12	WAKE_N
A13	RSVD	B13	PCI-E CLKP
A14	USBP_0P	B14	PCI-E CLKN
A15	USBP_0N	B15	GND
A16	No Use	B16	CLK_33M
A17	No Use	B17	SERIRQ
A18	GND	B18	LAD0
A19	SSTX+	B19	LAD1
A20	SSTX-	B20	LAD2
A21	PLTRST_N	B21	LAD3
A22	SSRX+	B22	L_FRAME
A23	SSRX-	B23	GND
A24	GND	B24	No Use
A25	No Use	B25	No Use
A26	No Use	B26	No Use
A27	No Use	B27	No Use
A28	No Use	B28	GND
A29	GND	B29	No Use
A30	No Use	B30	No Use

