

eBOX625-841-FL/eBOX625-842-FL

Fanless Embedded System with Intel® Atom™ Processor E3826 1.46 GHz or Intel® Celeron® J1900 2.0 GHz, HDMI, VGA, 2 GbE LAN, 4 USB and 2 COM

Features

- Intel® Atom™ E3826 1.46 GHz dual-core or Intel® Celeron® J1900 2.0 GHz quad-core SoC
- 204-pin DDR3L-1066/1333 SO-DIMM, up to 8GB
- Fanless operation design with full feature I/O
- 2 RS-232/422/485 and 4 USB 2.0 ports
- One 2.5" SATA drive bay and mSATA supported
- 2 PCI Express Mini Card slots and 1 SIM slot
- VGA and HDMI with dual-view supported
- -20°C to +60°C wide operating temperature range



Specifications

Standard Color	Silver-Black
Construction	Aluminum extrusion and heavy-duty steel, IP40
CPU	Intel® Atom™ processor E3826 1.46 GHz / Celeron® J1900 2.0 GHz
System Memory	1 x 204-pin DDR3L-1066/1333 SO-DIMM, up to 8GB
Chipset	SoC integrated
BIOS	AMI
System I/O Outlet	2 x RS-232/422/485 1 x VGA 1 x HDMI 1 x Audio (Mic-in/Line-out) 2 x 10/100/1000Mbps Ethernet (eBOX625-841-FL: Intel® i210AT, eBOX625-842-FL Intel® i211AT) 4 x USB 2.0 3 x SMA type connector opening for antenna 1 x VDC 12V power input connector 1 x ATX power switch 8 channel programmable digital I/O (J1900 version only)
Watchdog Timer	255 levels, 1-255 sec.
Storage	1 x 2.5" SATA HDD drive bay 1 x mSATA
Expansion Interface	1 x full-size PCI Express Mini Card slot (USB + PCI Express signal) 1 x half-size PCI Express Mini Card slot (USB + PCI Express signal) 1 x SIM slot
System Indicator	1 x green LED for system power-on 1 x orange LED for HDD active
Power Supply	Input AC 90-264V, AC 36W adapter with lock Output: DC 12V @ 3A
Operating Temperature	-20°C ~ +60°C (with E3826, W.T. SSD/CAPA841) -20°C ~ +55°C (with J1900, W.T. SSD/CAPA842)
Humidity	10%~90% , non-condensing
Vibration Endurance	3 Grms with SSD (5-500Hz, X, Y, Z directions)
Dimensions	200 mm (7.87") (W) x 120 mm (4.72") (D) x 46 mm (1.81") (H)
Weight (net/gross)	1.1 kg (2.43 lb)/ 1.8 kg (3.97 lb)
Certificate	CE
EOS Support	WEBS, WES7

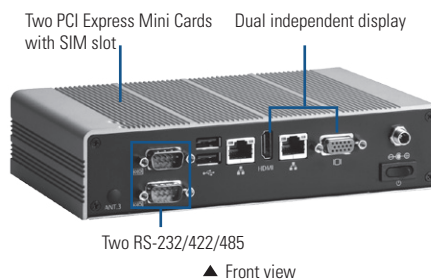
Packing List

- 1 x Quick manual
- 1 x Driver cd
- 1 x Screw pack
- 4 x Foot pad

Power Protection

AC Version

- OVP (over voltage protection)
- OCP (over current protection)
- SCP (short circuit protection)



▲ Front view

Intel® Atom™ E3826 /
Intel® Celeron® J1900
SoC onboard



Three Antenna Opening

▲ Rear view

Ordering Information

Standard

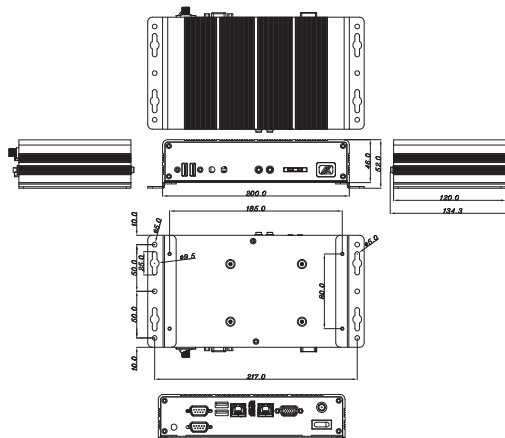
eBOX625-841-FL-E3826-US	Fanless embedded system with Intel® Atom™ E3826 1.46 GHz, VGA, HDMI, 2 GbE LANs, 4 USB, 2 COM, 36W AC/DC adapter and US power cord
eBOX625-841-FL-E3826-EU	Fanless embedded system with Intel® Atom™ E3826 1.46 GHz, VGA, HDMI, 2 GbE LANs, 4 USB, 2 COM, 36W AC/DC adapter and EU power cord
eBOX625-842-FL-J1900-US	Fanless embedded system with Intel® Celeron® J1900 2.0 GHz, 2 GbE LANs, 4 USB, 2 COM, 8 CH DI/DO, 36W AC/DC adapter and US power cord
eBOX625-842-FL-J1900-EU	Fanless embedded system with Intel® Celeron® J1900 2.0 GHz, 2 GbE LANs, 4 USB, 2 COM, 8 CH DI/DO, 36W AC/DC adapter and EU power cord

Optional

2.5" SATA HDD	40GB or above
2.5" SATA SSD	4GB or above
DDR3L SO-DIMM	1GB ~ 8GB
wall mount	88606200010E
VESA arm kit	88606200020E
DIN-rail kit	88606200030E
Wi-Fi module	
Power cord	

*Specifications and certifications are based on options and may vary.

Dimensions



* All specifications and photos are subject to change without notice.